



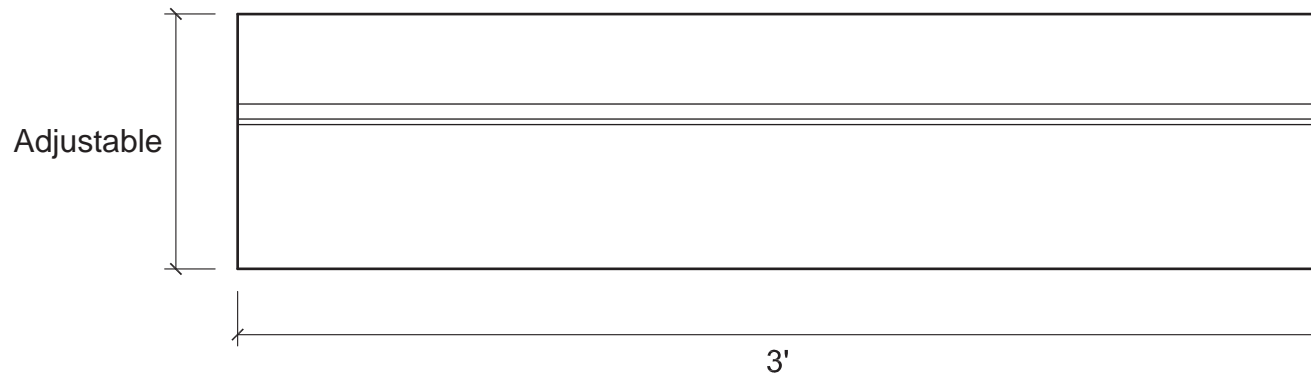
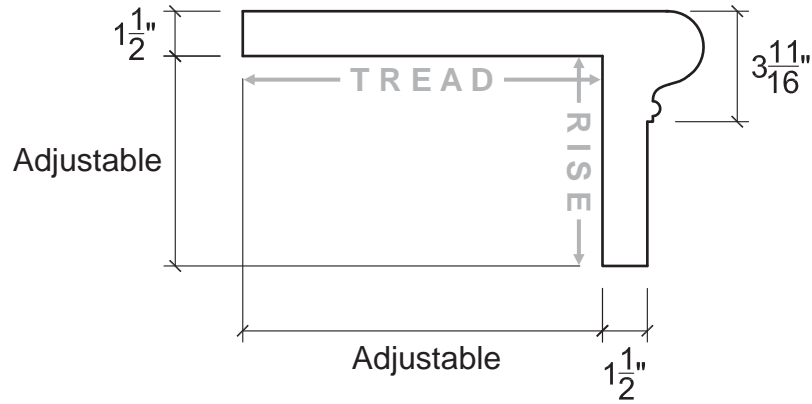
STAIR TREADS

2011



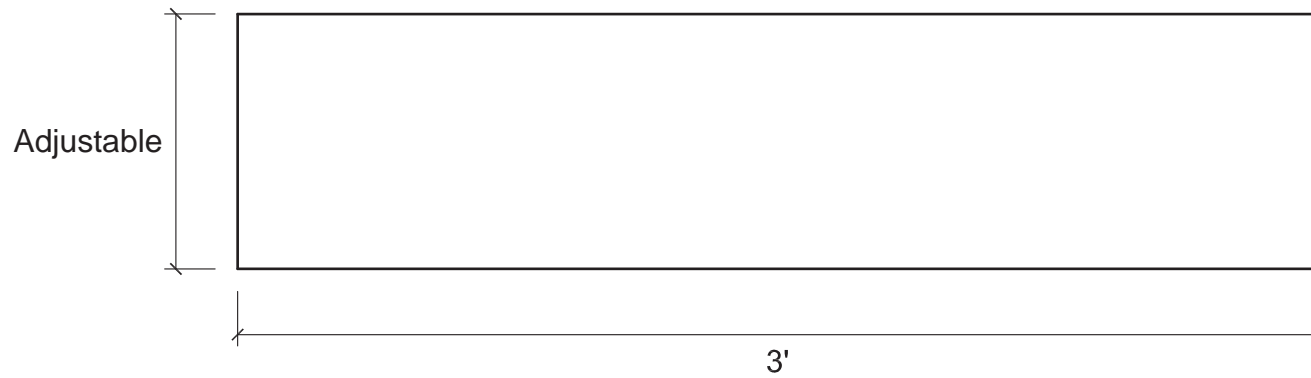
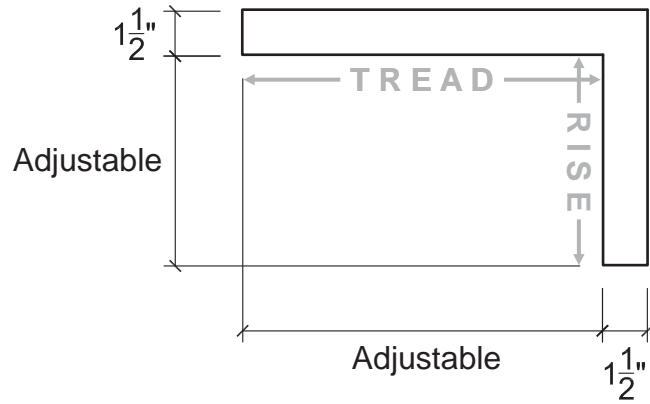
374 EAST MCGLINCY LANE CAMPBELL CA 95008 USA T (408) 371-6516 F (408) 371-2534

www.ravacast.com



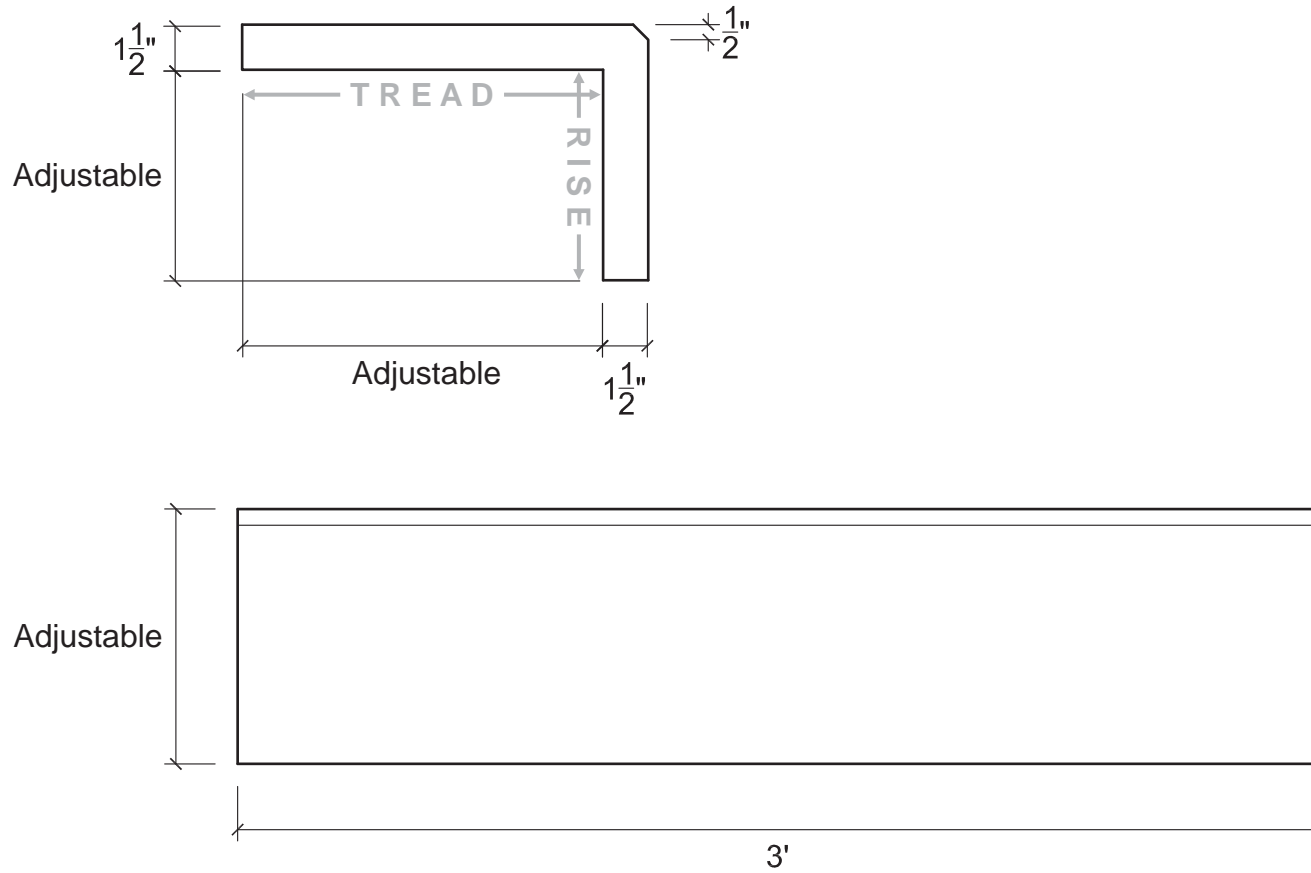
Bramante Stair Tread

WEIGHT	MATERIAL	ATTACHMENTS	FINISHES	THICKNESS	OPTIONAL
±70 lbs.	Precast	None (Standard)	All	1-1/2"	Ends Corners Radius



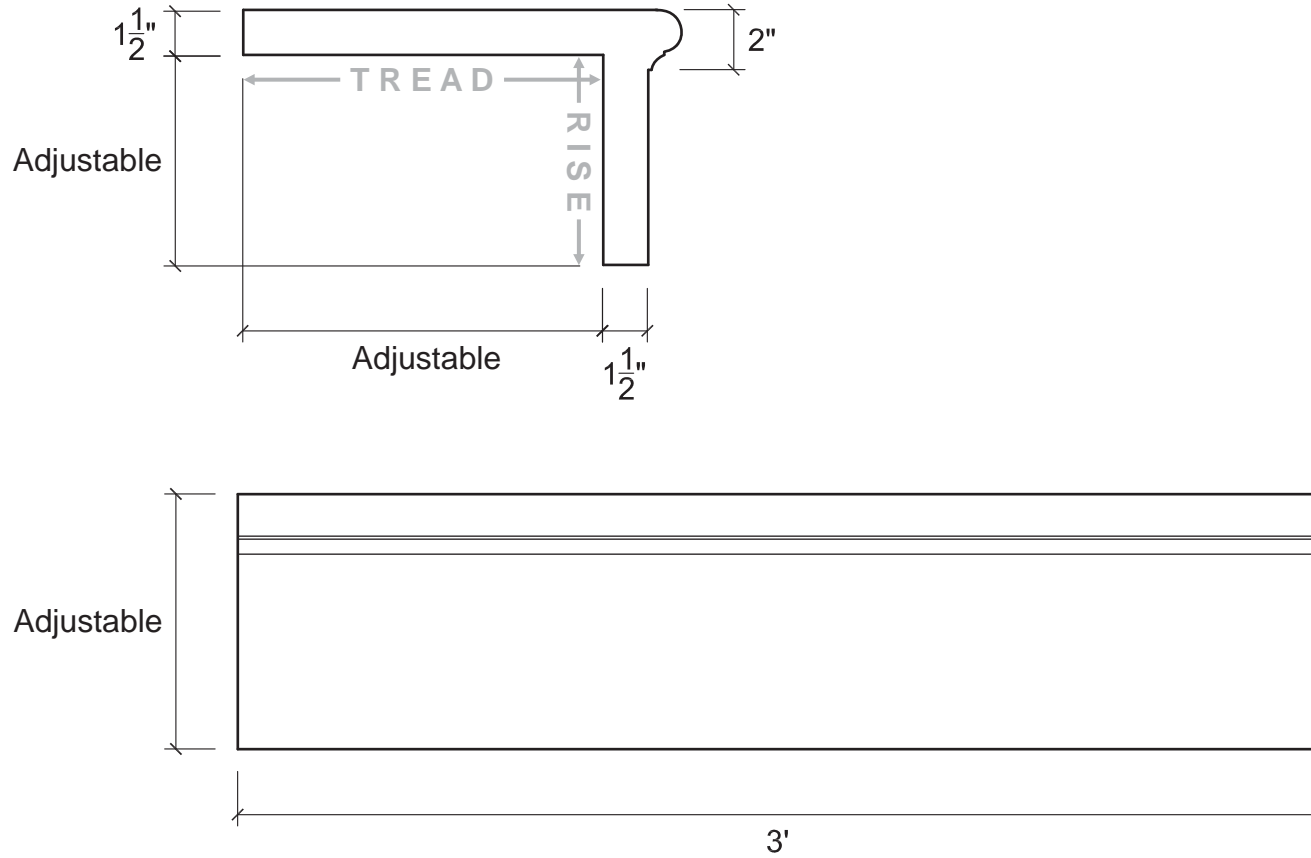
Element Stair Tread

WEIGHT	MATERIAL	ATTACHMENTS	FINISHES	THICKNESS	OPTIONAL
±70 lbs.	Precast	None (Standard)	All	1-1/2"	Ends Corners Radius



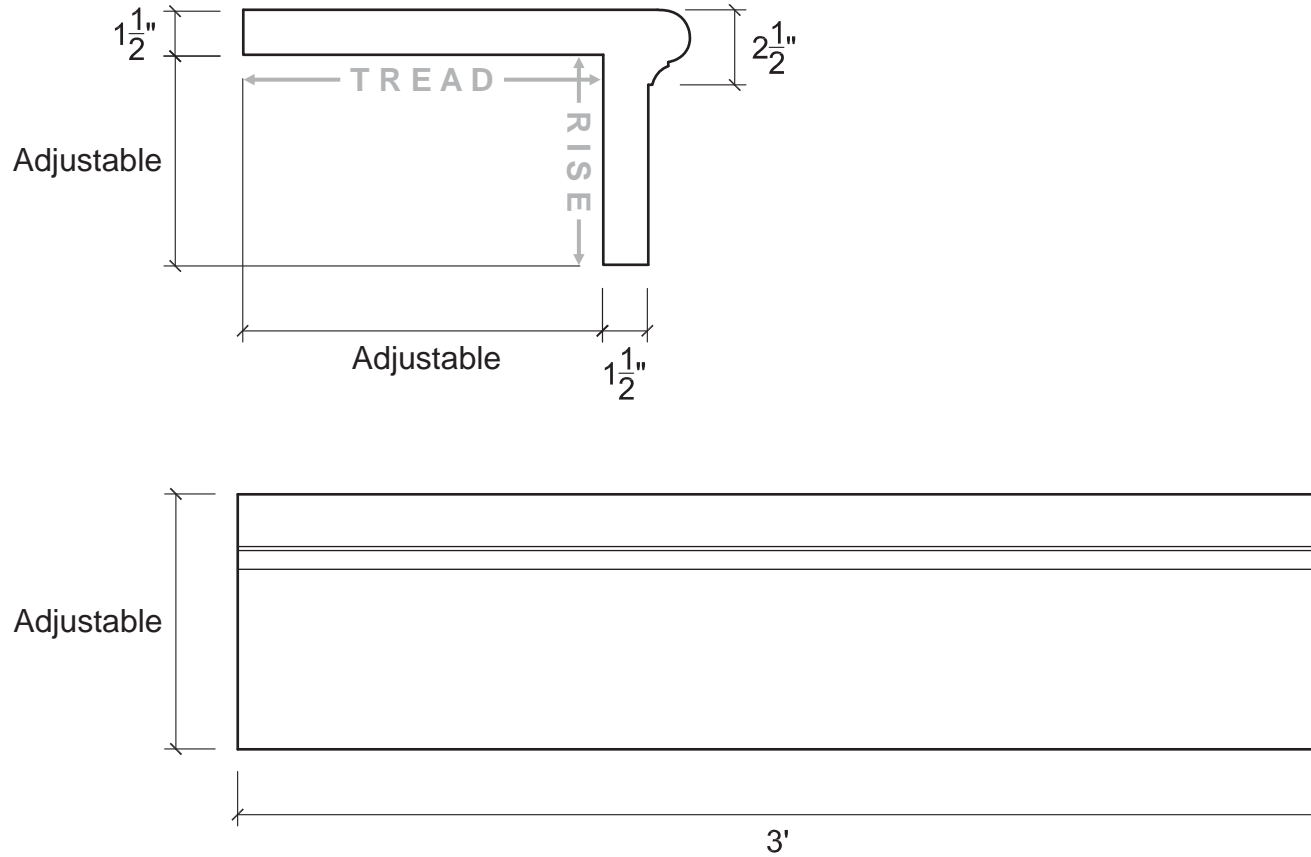
Element Chamfer Stair Tread

WEIGHT	MATERIAL	ATTACHMENTS	FINISHES	THICKNESS	OPTIONAL
±70 lbs.	Precast	None (Standard)	All	1-1/2"	Ends Corners Radius



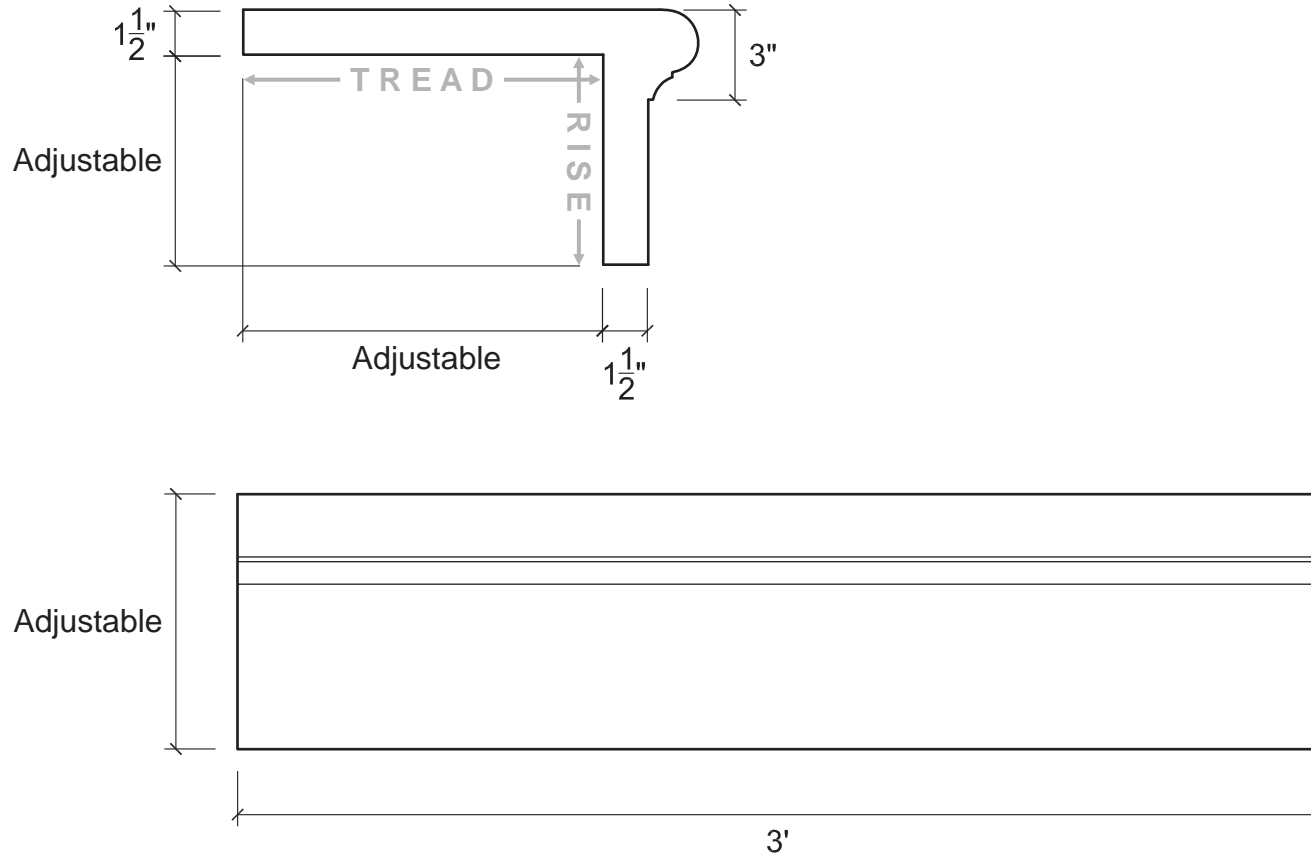
Naples 2" Stair Tread

WEIGHT	MATERIAL	ATTACHMENTS	FINISHES	THICKNESS	OPTIONAL
±70 lbs.	Precast	None (Standard)	All	1-1/2"	Ends Corners Radius



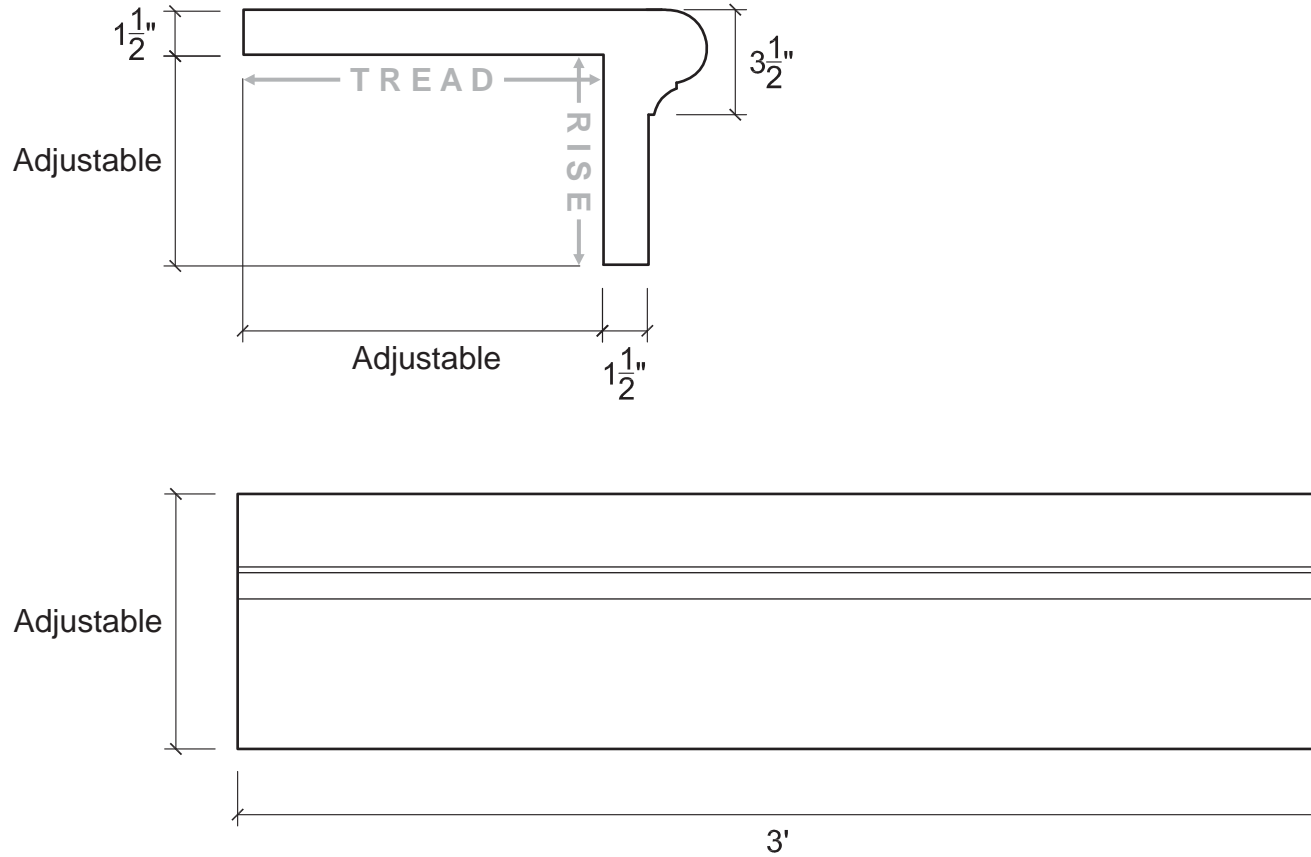
Naples 2-1/2" Stair Tread

WEIGHT	MATERIAL	ATTACHMENTS	FINISHES	THICKNESS	OPTIONAL
±70 lbs.	Precast	None (Standard)	All	1-1/2"	Ends Corners Radius



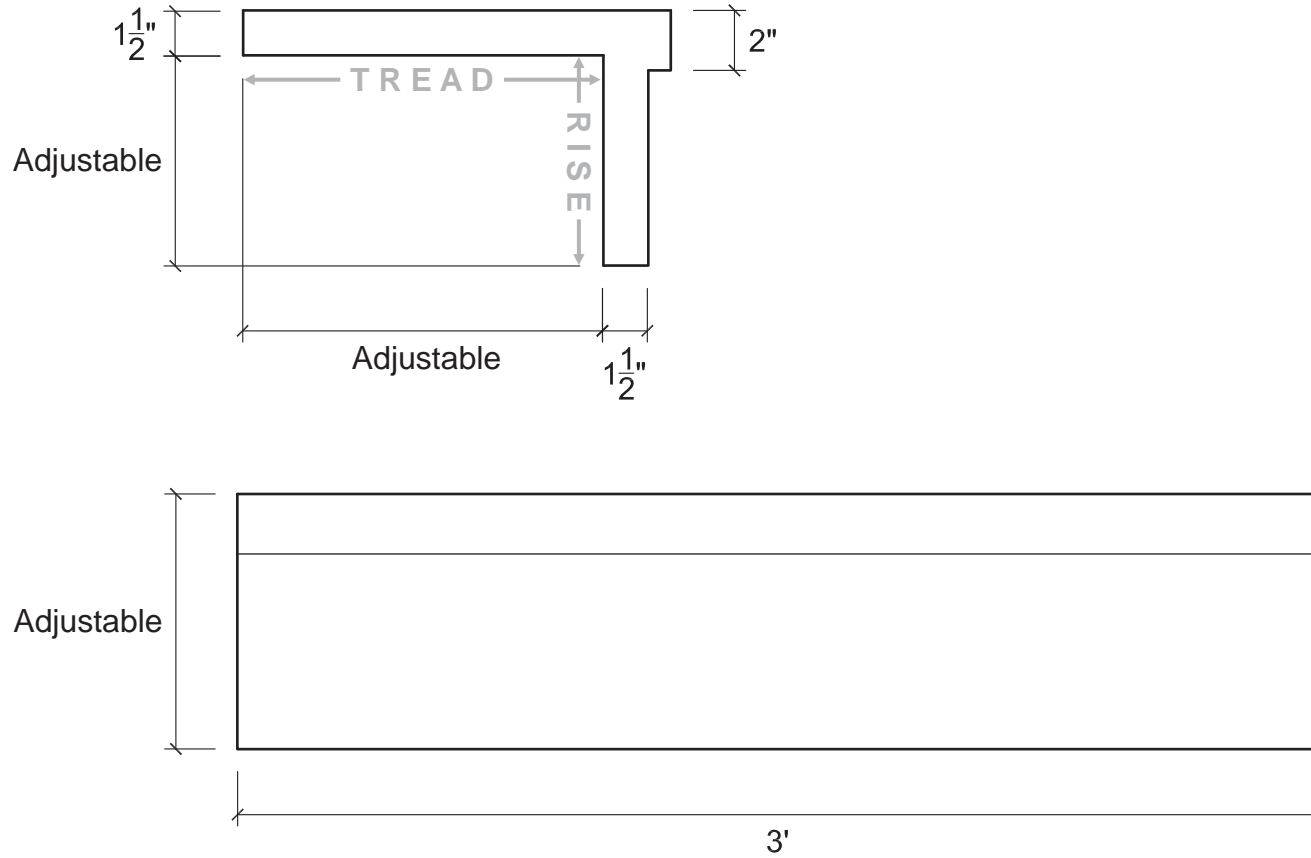
Naples 3" Stair Tread

WEIGHT	MATERIAL	ATTACHMENTS	FINISHES	THICKNESS	OPTIONAL
±70 lbs.	Precast	None (Standard)	All	1-1/2"	Ends Corners Radius



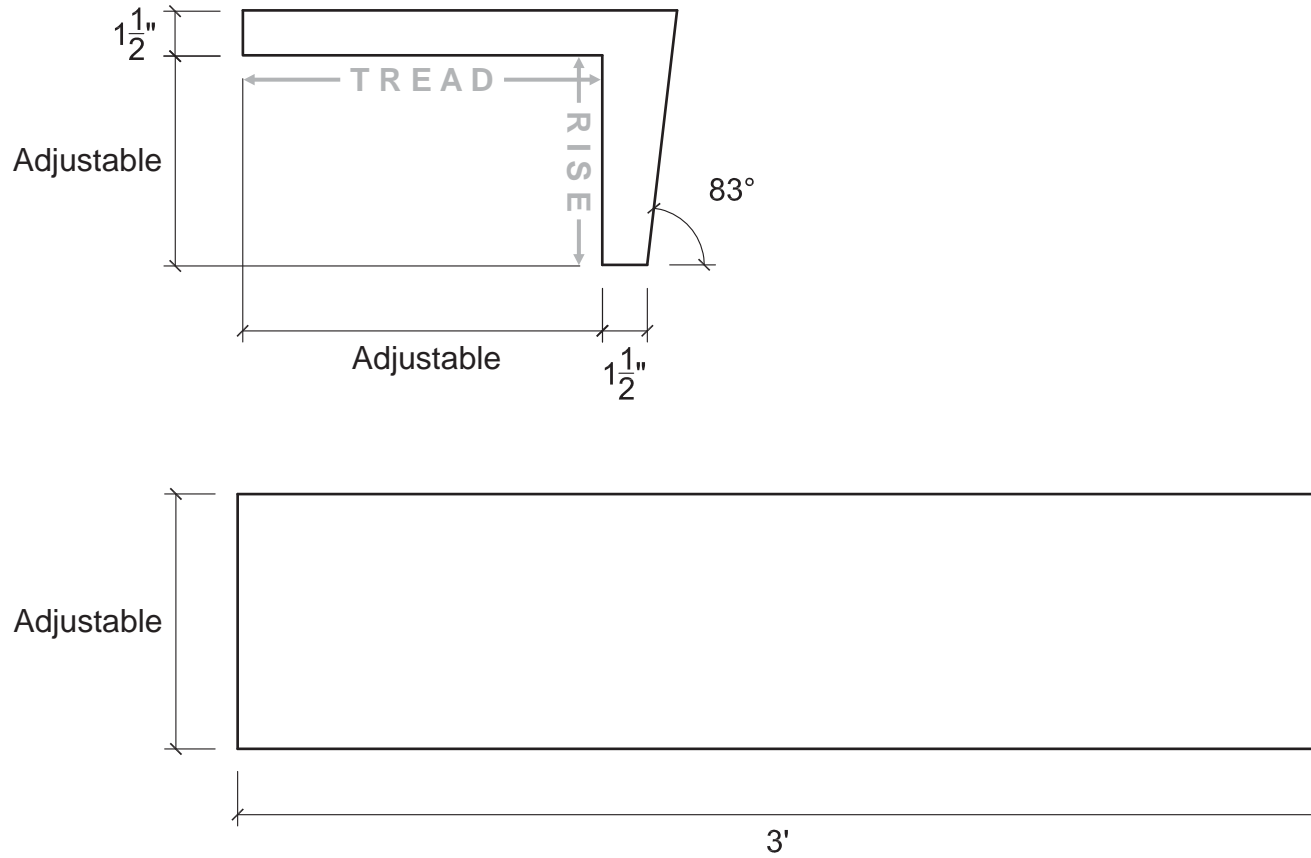
Naples 3-1/2" Stair Tread

WEIGHT	MATERIAL	ATTACHMENTS	FINISHES	THICKNESS	OPTIONAL
±70 lbs.	Precast	None (Standard)	All	1-1/2"	Ends Corners Radius



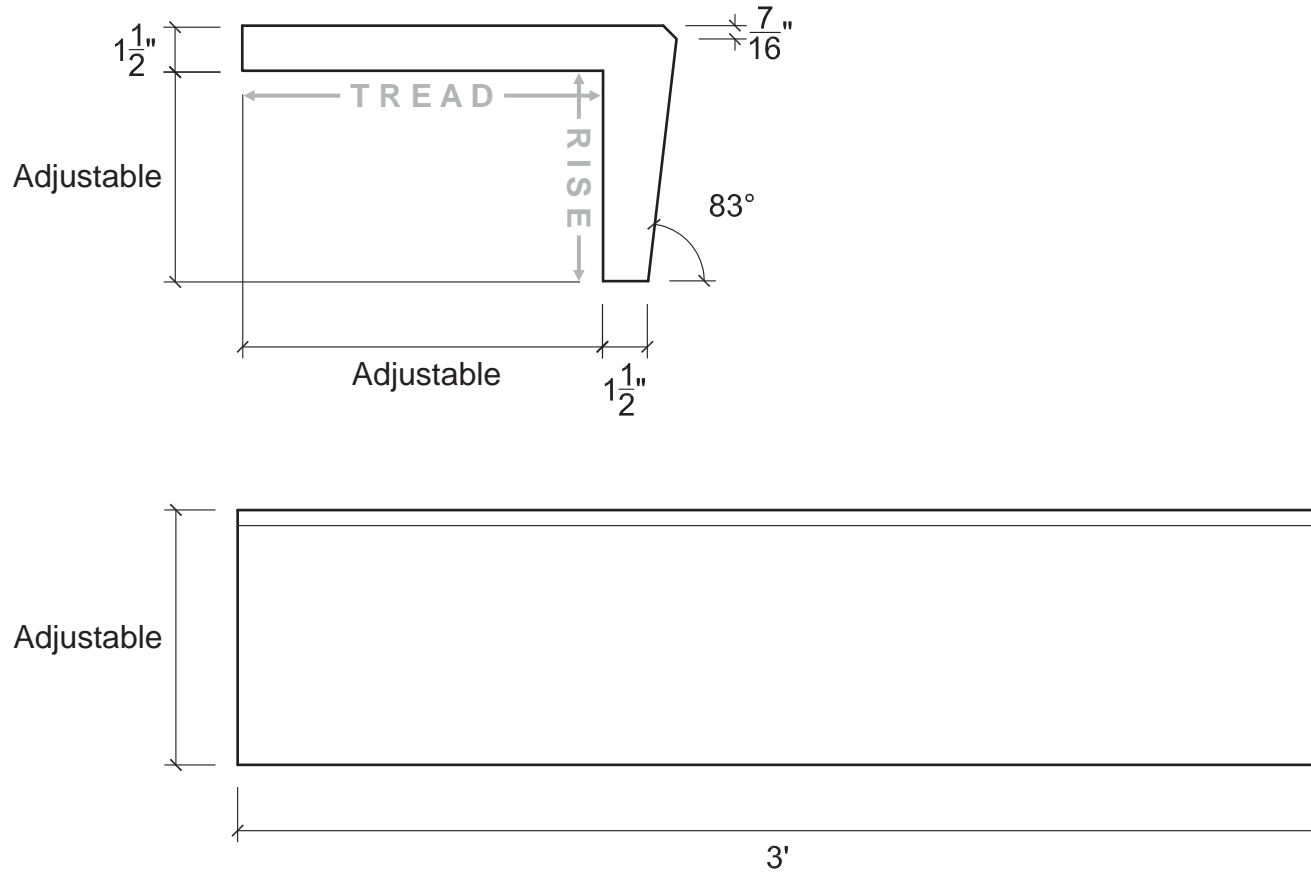
Sheer Stair Tread

WEIGHT	MATERIAL	ATTACHMENTS	FINISHES	THICKNESS	OPTIONAL
±70 lbs.	Precast	None (Standard)	All	1-1/2"	Ends Corners Radius



Tilt Stair Tread

WEIGHT	MATERIAL	ATTACHMENTS	FINISHES	THICKNESS	OPTIONAL
±70 lbs.	Precast	None (Standard)	All	1-1/2"	Ends Corners Radius



Tilt Chamfer Stair Tread

WEIGHT	MATERIAL	ATTACHMENTS	FINISHES	THICKNESS	OPTIONAL
±70 lbs.	Precast	None (Standard)	All	1-1/2"	Ends Corners Radius