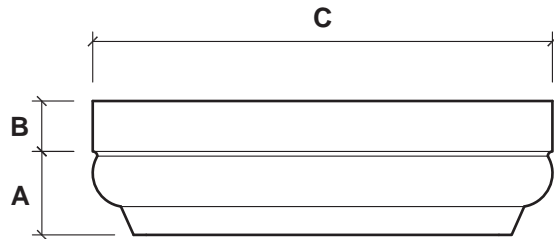


2011





1 Axum Capital
ELEVATION

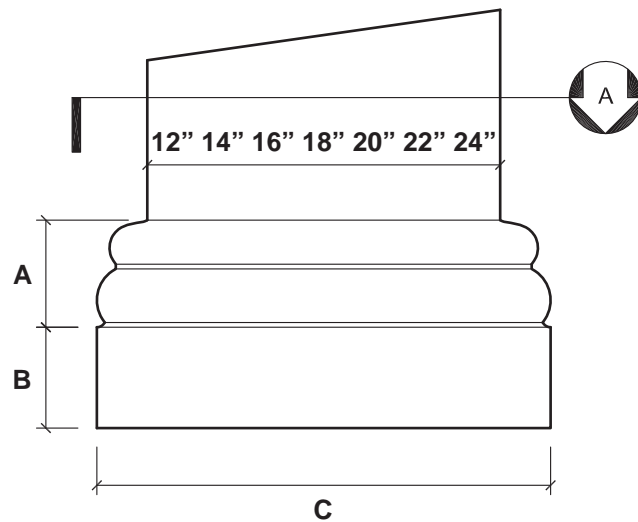
AXUM COLUMN STYLE

CAPITAL DIMENSIONS

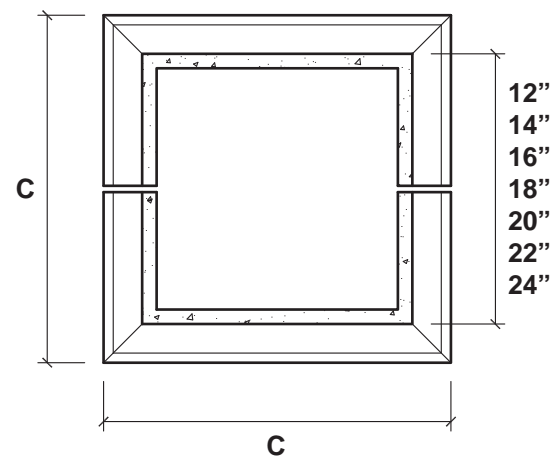
⊞	A	B	C
12"	3-1/4"	2"	16-1/4"
14"	3-1/4"	2"	18-1/4"
16"	3-1/4"	2"	20-1/4"
18"	3-1/4"	2"	22-1/4"
20"	3-1/4"	2"	24-1/4"
22"	3-1/4"	2"	26-1/4"
24"	3-1/4"	2"	28-1/4"

BASE DIMENSIONS

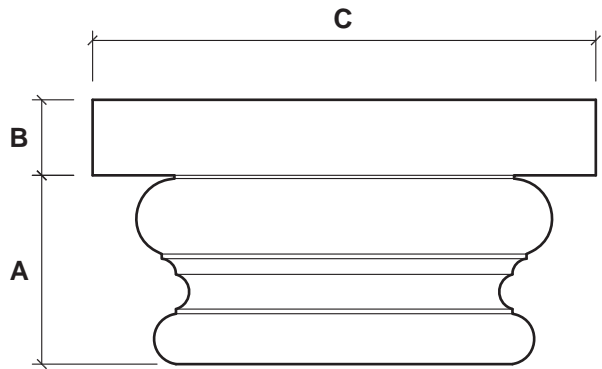
⊞	A	B	C
12"	4-1/4"	4"	16"
14"	4-1/4"	4"	18"
16"	4-1/4"	4"	20"
18"	4-1/4"	4"	22"
20"	4-1/4"	4"	24"
12"	4-1/4"	4"	26"
24"	4-1/4"	4"	28"



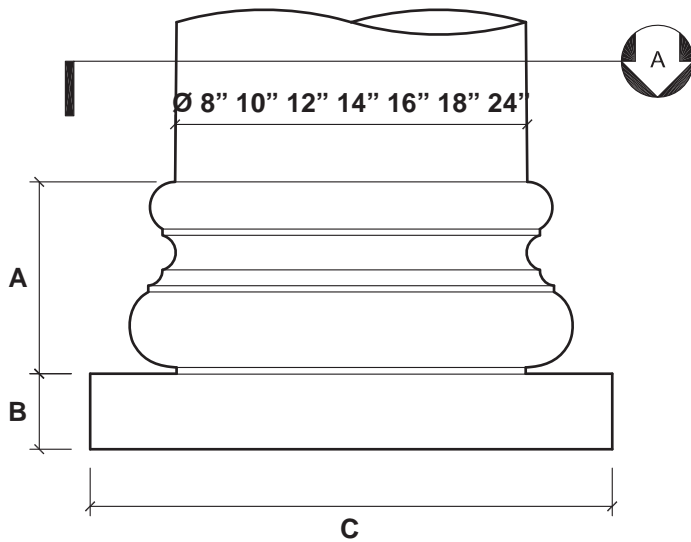
2 Axum Base/Shaft Section
ELEVATION



A Axum Base/Shaft Section
CUT VIEW (NTS)



1 Metropolis Capital
ELEVATION



2 Metropolis Base/Shaft Section
ELEVATION

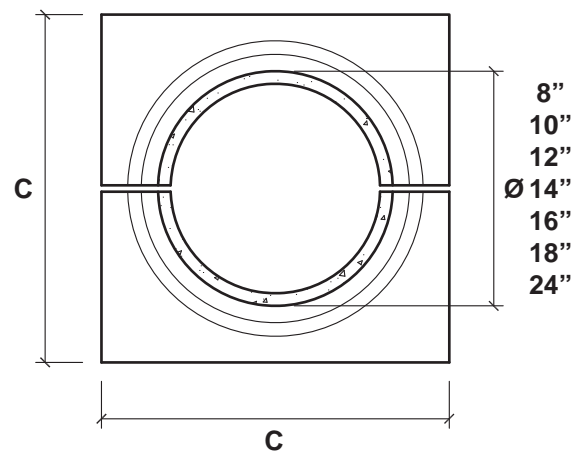
METROPOLIS COLUMN STYLE

CAPITAL DIMENSIONS

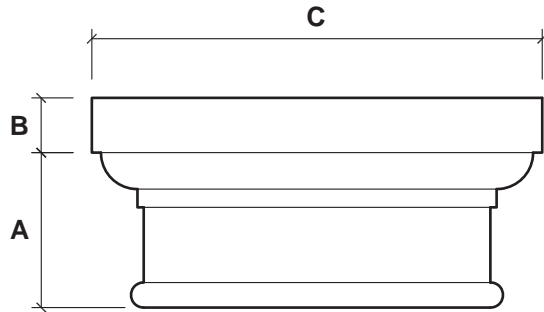
Ø	A	B	C
8"	7"	2-1/2"	11-3/4"
10"	7-1/2"	2-1/2"	14-1/2"
12"	7-1/2"	3"	16-3/4"
14"	7-1/2"	3"	20"
16"	7-1/2"	3-1/2"	21"
18"	7-1/2"	3-1/2"	22"
24"	8"	3-1/2"	29"

BASE DIMENSIONS

Ø	A	B	C
8"	7"	2-1/2"	13"
10"	7-1/2"	3"	14-1/2"
12"	7-1/2"	3"	17-1/2"
14"	7-1/2"	3-1/2"	20-3/4"
16"	7-1/2"	3-1/2"	23"
18"	7-1/2"	3-1/2"	24"
24"	8"	4-1/2"	29-1/2"



A Metropolis Base/Shaft Section
CUT VIEW (NTS)



1 Prague Capital
ELEVATION

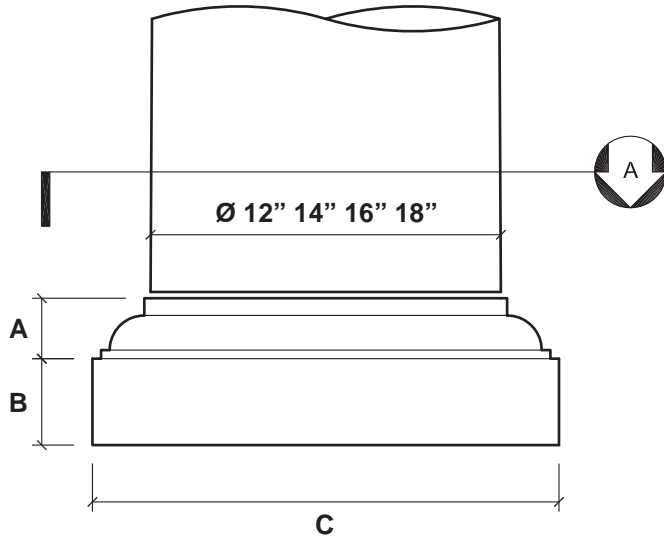
PRAGUE COLUMN STYLE

CAPITAL DIMENSIONS

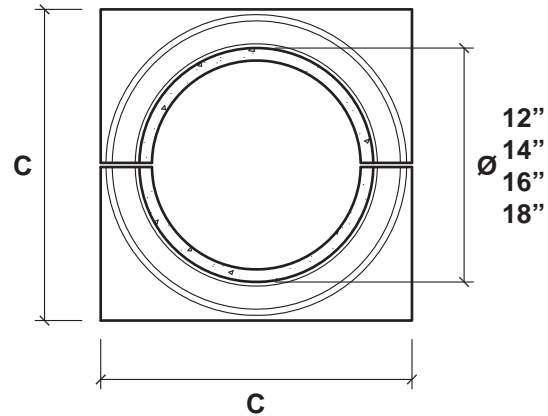
Ø	A	B	C
12"	5-3/4"	1-7/8"	15-1/4"
14"	6-1/4"	2-1/4"	17-1/2"
16"	6-1/2"	2-1/2"	20"
18"	6-5/8"	2-5/8"	22-5/8"

BASE DIMENSIONS

Ø	A	B	C
12"	2-1/8"	3"	16-1/8"
14"	2-1/2"	3-1/2"	18-5/8"
16"	2-3/4"	4"	21-3/8"
18"	3-1/8"	4-1/2"	24"



2 Prague Base/Shaft Section
ELEVATION



A Prague Base/Shaft Section
CUT VIEW (NTS)